

Pneumatic Rotary Rack & Pinion Actuator

STAINLESS STEEL [DOUBLE & SINGLE ACTING]



"aira" Offers SRA Series pneumatic actuators are stainless steel actuator which incorporate latest mechanical technology, materials available and our expertises , through designing, developing, testing and engineering application, we have obtained a high grade product with the characteristics of reliability, high performance, long cycle life, large adjustment, highest levels of corrosion protection, wide selection of model with easy and economy.



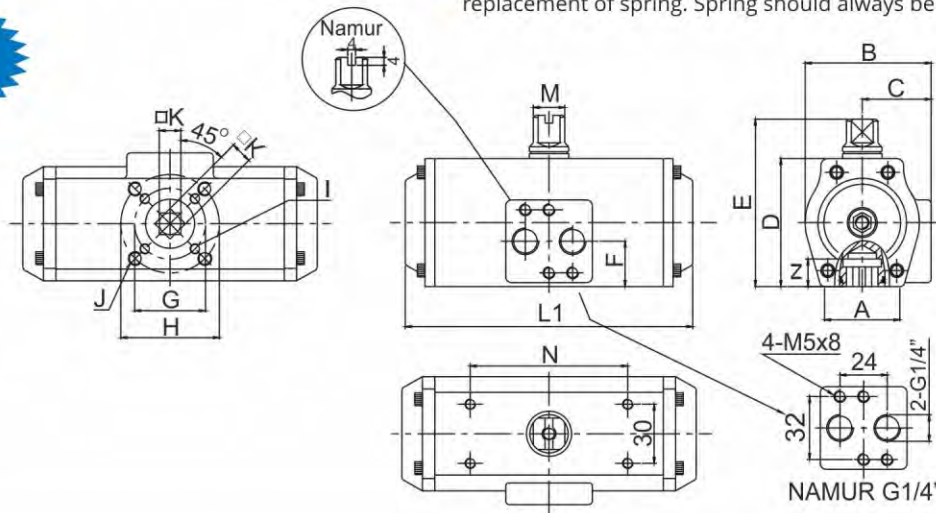
Operating Conditions

- Operating Media Dry or Lubricated air, the non-corrosive gassed or oil
- Air supply pressure double acting : 2 ~ 8 Bar : Spring return : 2 ~ 8 Bar
- Operating Temperature Standard (NBR 'O' - Ring -20 °C ~ +80 °C)
Low Temperature (Silicon 'O' - Ring -35 °C ~ +80 °C)
High Temperature (Viton 'O' - Ring -15 °C ~ +150 °C)
- Travel adjustment have adjustment range of $\pm 4^\circ$ for the rotation at 90°
- Lubrication Under normal operating condition, need not accrete lubricant
- Application Either indoor or out door
- Highest pressure the maximum input pressure is 10 Bar

Maintenance

- It is recommended that periodic checks be performed to make sure that all fasteners remain tight.
- The actuator is supplied ready - lubricated no further lubrication is required. If lubrication is deemed necessary, Use EP - 1 grease.
- Under certain working conditions (Heavy duty, non - compatible operating media or abnormal operating conditions) Internal seals should be checked periodically and replaced when necessary.
- On spring return actuators, spring fatigue may set in requiring the replacement of spring. Spring should always be replaced in full sets.

Stainless Steel



Dimensions :

Valve Model	A	B	C	D	E	F	G	H	I	J	K	L1	M	N	Z
SRA-45	42	64	35	65	85	23	36	36	M5 x 8	M6 x 10	11X11	147	16	80	14
SRA-60	48.5	74	39	81	101	23	---	50	---	M6 x 10	14X14	146	16	80	18
SRA-85	66	101	52	108	128	24	50	70	M6 x 10	M8 x 13	17X17	198	16	80	21
SRA-105	80	118	60	133	153	24	---	70	---	M8 x 13	22X22	251	16	80	26
SRA-125	100	138	69	155	185	28	70	102	M8 x 13	M10 x 16	22X22	242	22	130	26
SRA-140	115	153	77	171	201	34	102	125	M10 x 16	M12 x 20	27X27	358	22	130	31
SRA-160	132	174	87	197	227	39	102	125	M10 x 16	M12 x 20	27X27	325	22	130	31

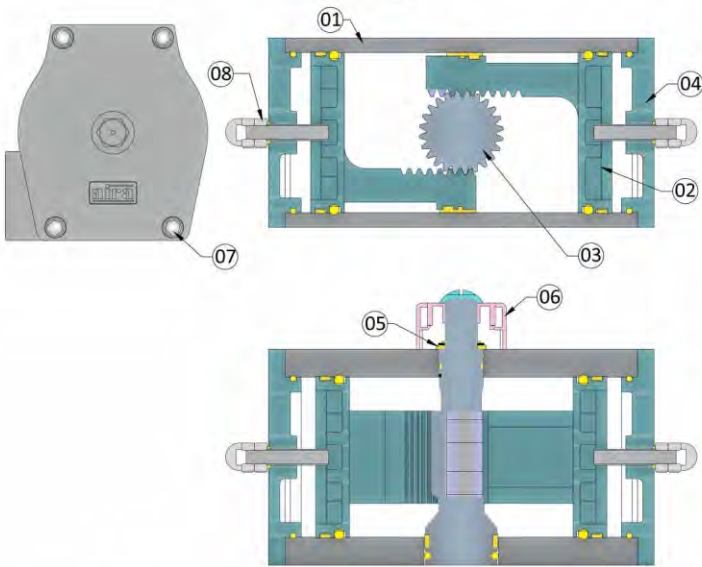
(All Dimensions are in mm)



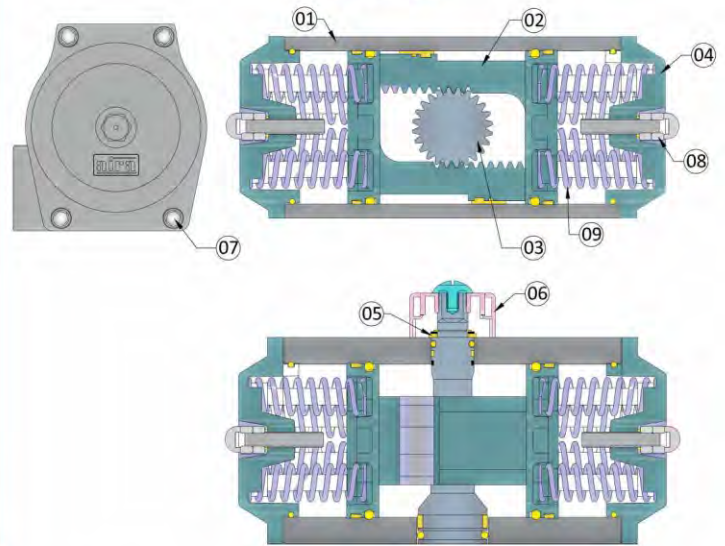
Note : Since, constant worldwide advancement in technology, We keep our rights reserved to make changes time to time in Technical specifications and Dimensions without prior notice.

Pneumatic Rotary Rack & Pinion Actuator STAINLESS STEEL [DOUBLE & SINGLE ACTING]

Double Acting



Single Acting



No.	Description	Material
1	Body	Stainless Steel 304 / 316
2	Piston	Stainless Steel 304 / 316
3	Shaft	Stainless Steel 304 / 316
4	End Cover	Stainless Steel 304 / 316
5	Shaft Washer	S. S.

No.	Description	Material
6	Indicator	Nylon
7	L. N. Bolt for End Cap	S. S.
8	All Seals	Hi - Nitrile
9	All Guides	Delrin

DOUBLE ACTING ACTUATOR TORQUE CHART IN Nm

(10Nm = 1 kgfm)

Valve Model	Air Pressure (Bar)									
	2	2.5	3	4	4.5	5	5.5	6	7	8
SRA-45D	6.0	7.6	9.1	12.1	13.6	15.1	16.6	18.1	21.1	24.2
SRA-60D	14.2	17.8	21.3	28.4	32.0	35.5	39.1	42.6	49.7	56.8
SRA-85D	30.8	38.5	46.2	61.6	69.4	77.1	84.8	92.5	107.9	123.3
SRA-105D	65.8	82.2	98.7	131.6	148.0	164.4	180.9	197.3	230.2	263.1
SRA-125D	103	128	154	205	231	256	282	308	359	410
SRA-140D	175	219	263	351	395	439	482	526	614	702
SRA-160D	267	334	401	535	601	668	735	802	935	1069

Note : Actuator Torques May Vary ±3%

SINGLE ACTING ACTUATOR TORQUE CHART IN Nm

(10Nm = 1 kgfm)

Valve Model	Air Pressure (Bar)									
	2	2.5	3	4	4.5	5	6	7	8	
SRA-45S	1.2	2.8	3.3	5.3	13.6	7.3	9.4	11.4	14.5	
SRA-60S	3.2	6.8	8.1	13.0	32.0	17.9	22.8	27.7	34.8	
SRA-85S	6.6	14.3	17.1	27.7	69.4	38.3	48.9	59.5	74.9	
SRA-105S	14.0	30.4	36.5	59.1	148.0	81.5	104.1	126.6	159.5	
SRA-125S	20.5	45.5	55.0	89.5	231	124.0	159.5	194.0	245.0	
SRA-140S	39.3	83.3	100.1	161.0	395	221.8	281.7	342.5	430.5	
SRA-160S	47.7	114.7	137.9	228.0	601	317.2	407.3	496.5	630.5	

Note : Actuator Torques May Vary ±3%



Note : Since, constant worldwide advancement in technology, We keep our rights reserved to make changes time to time in Technical specifications and Dimensions without prior notice.